



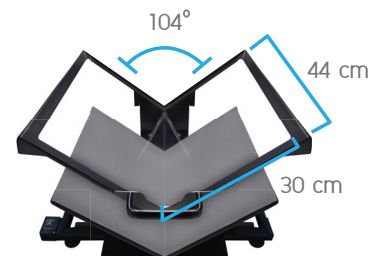
## BookDrive Mark 2 Lite

Setting a new standard in book digitization once again.

Meet BookDrive Mark 2 Lite. Our latest, best designed and engineered model yet.

Years of research and close collaboration with technical specialists has resulted in a scanner superior to others in almost every way.

Create images that meet among the highest, most stringent digitization and preservation standards.



Max scanning area: 30 x 44 cm (11.8 x 17.3 inches)

Max book thickness: 12 cm (4.7 inches)

### Top Features

New generation scanner, medium size  
Supports scanning up to 2 x A3

Supreme ergonomics and comfort

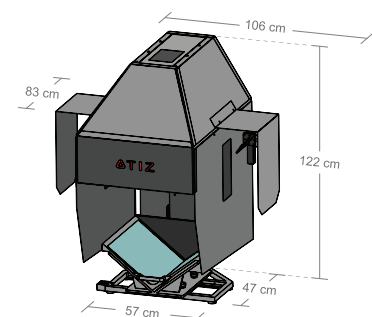
Extra uniform light distribution for best image quality

No direct light or reflection hitting user eyes

Supports both Canon and Nikon DSLRs

Max scan speed 1,600 pages/hour

Auto Capture Switch integrated for scanning without pushing buttons



### Dimension

Base footprint: 47 x 57 cm (18.5 x 22.4 inches)

Overall dimension: 83 x 106 x 122 cm (32.7 x 41.7 x 48.0 inches)

Weight: 35 kg (77.0 lbs)

#### Headquarter

Atiz Innovation Co., Ltd.  
P: +66 2683 6600 +66 2683 6070-1

729/26-27 Ratchadaphisek Rd. Yannawa, Bangkok 10120 Thailand  
E: info@atiz.com

#### North America

America Atiz Innovation, Inc.  
P: +1 (800) 501 6035

302 West 5th Street, Ste. 102, San Pedro, CA 90731 USA  
E: info@atiz.com